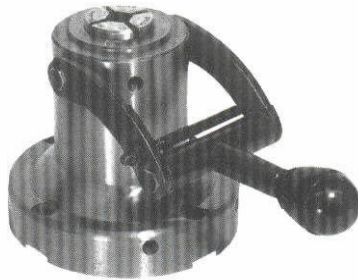


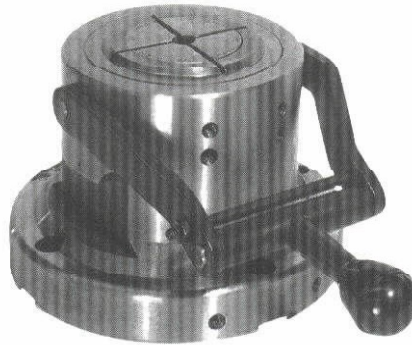


INCORPORATED

# Stationary Holding Fixture



**1" Capacity Fixture  
707-350-1**



**2" Capacity Fixture  
707-400-1**

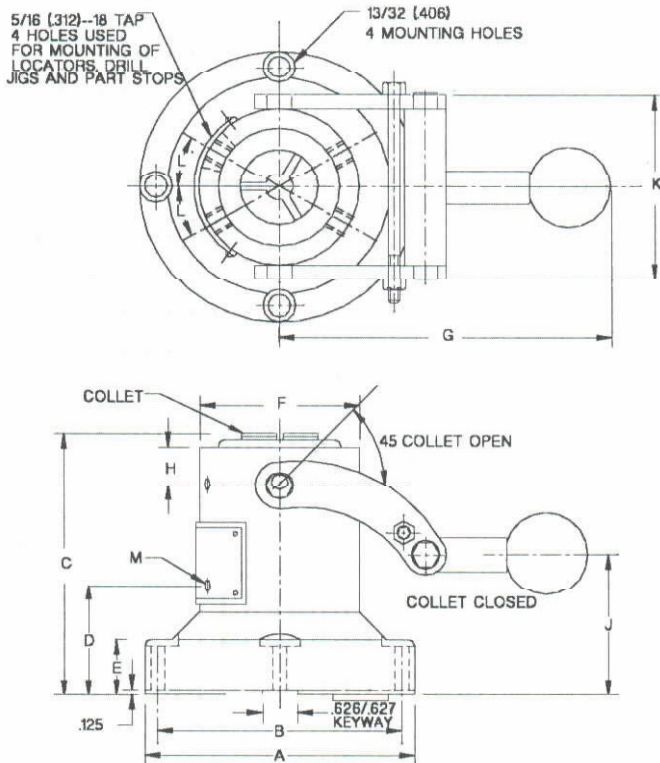
A basic Holding Fixture to fulfill your part holding requirements accurately and economically.

As with all **ZAGAR COLLET FIXTURES**, this fixture can be used on almost any type machine and will give you the same **RELIABILITY and PROFITABILITY!**

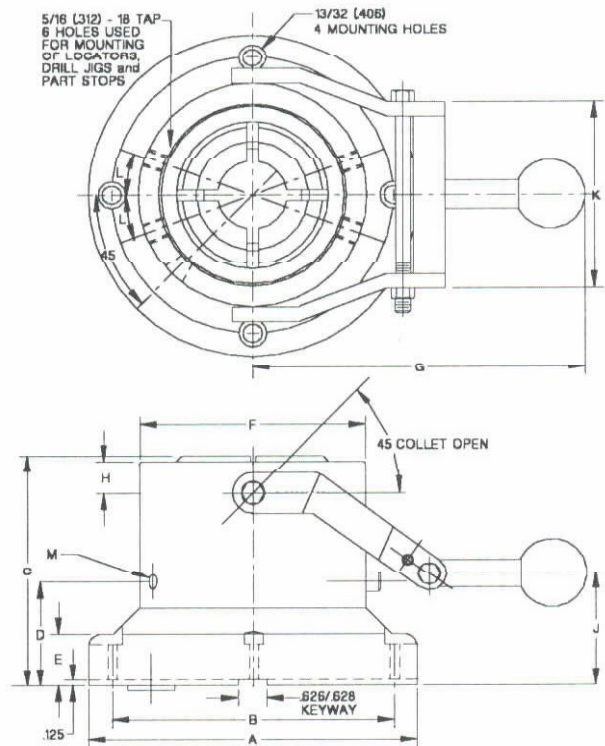
[www.zagar.com](http://www.zagar.com)

[sales@zagarinc.com](mailto:sales@zagarinc.com)

24000 Lakeland Blvd  
Cleveland, OH 44132  
216-731-0500  
216-731-8591 Fax



**1" Capacity Fixture - 707-350-1**



**2" Capacity Fixture - 707-400-1**

	Model No.	A	B	C	D	E	F	G	H	J	K	L	M	Collet No.	Net Wt.
1" Capacity Fixture	707-350-1	5.00	4.38	4.56	2.03	1.00	2.88	6.12	.53	2.66	3.38	30°	1/4 NPT	707-178 (5C)	12 lbs.
		127.00	111.25	115.82	51.56	25.40	73.03	155.45	13.46	67.56	85.85				
2" Capacity Fixture	707-400-1	7.00	6.00	5.00	2.25	1.12	4.88	7.38	.75	2.38	4.12	20°	3/8 NPT	707-310	26.75 lbs.
		177.80	152.40	127.00	57.15	28.45	123.83	187.45	19.05	60.45	104.65				